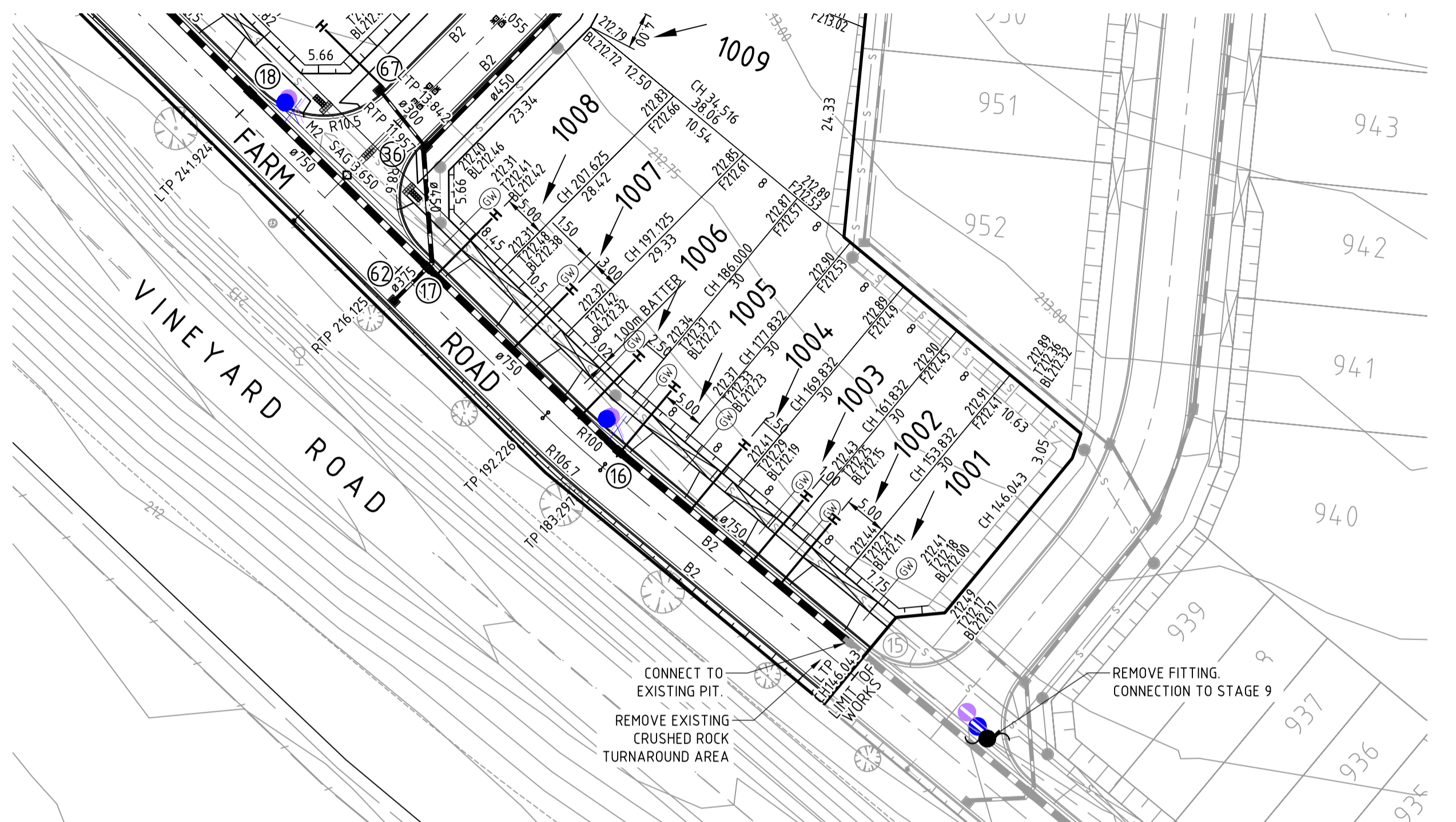


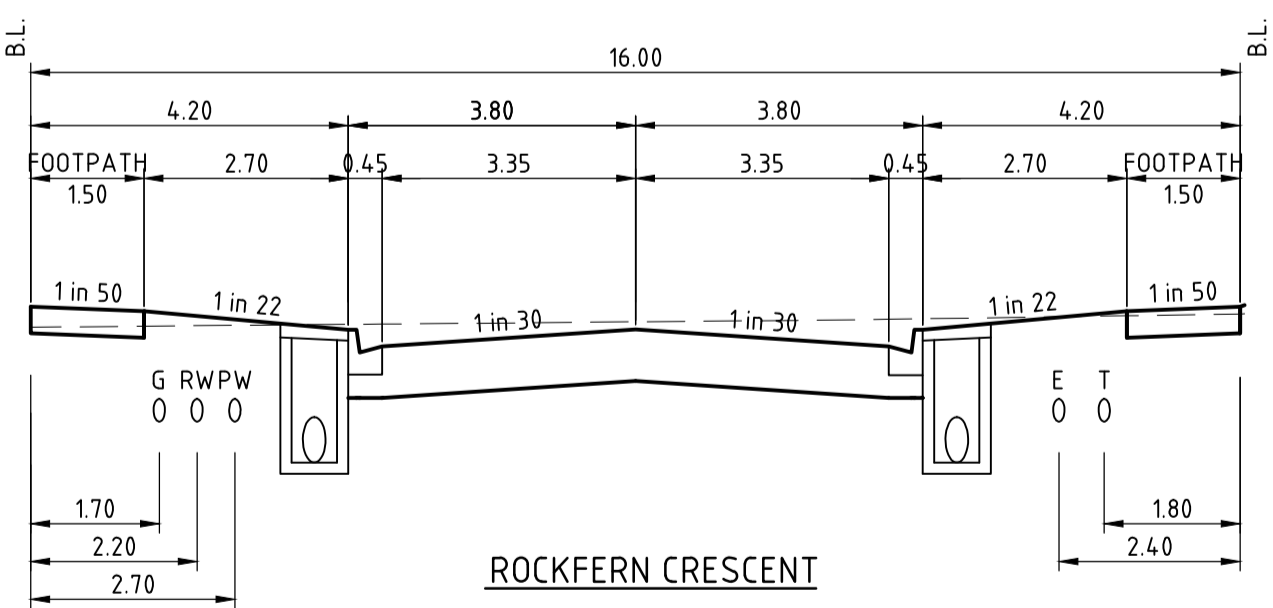
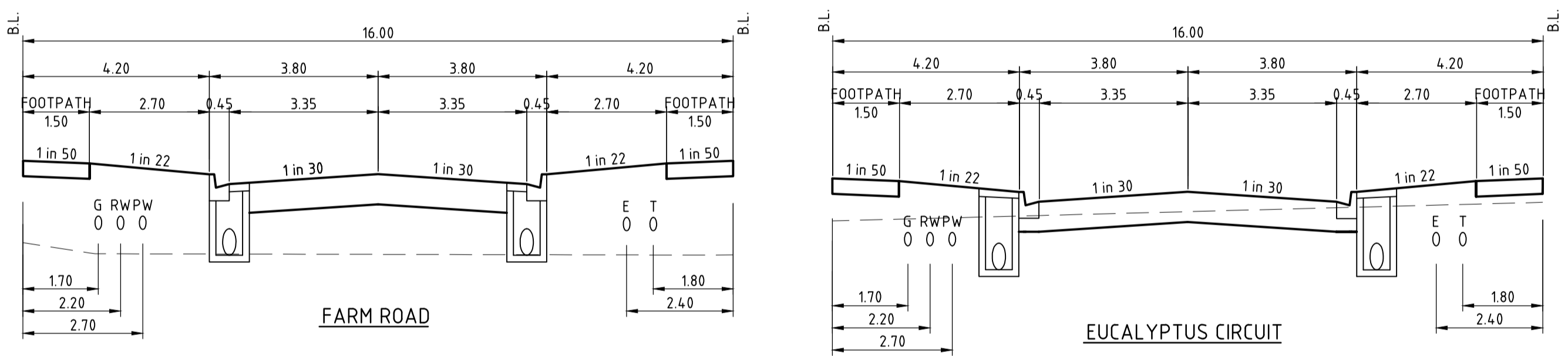
FOR CONTINUATION REFER TO INSET

STREET	RESERVE WIDTH	GAS		WATER		ELECTRICITY		NBN		BK of KERB
		SIDE	OFFSET	REUSE WATER SIDE	POTABLE WATER OFFSET	U/G CABLE SIDE	OFFSET	SIDE	OFFSET	OFFSET
FARM ROAD	13.00m	N	2.80	N	3.30	N	2.30	N	1.70	5.20
ROCKFERN CRESCENT	16.00m	N	1.70	N	2.20	N	2.70	S	1.80	4.20
EUCALYPTUS CIRCUIT (ADJACENT LOT102)	16.00m	N	1.70	N	2.20	N	2.70	S	1.80	4.20
EUCALYPTUS CIRCUIT	16.00m	E	1.70	E	2.20	E	2.70	W	1.80	4.20

- N - NORTH, S - SOUTH, E - EAST, W - WEST
 1. NBN AND ELECTRICITY CABLES TO BE CONSTRUCTED IN A COMMON TRENCH IN ACCORDANCE WITH SEC STANDARD DRG.
 2. GAS AND WATERMANS TO BE CONSTRUCTED IN A COMMON TRENCH.
 3. * INDICATES OFFSET FROM BACK OF KERB OR EDGE OF CONCRETE.



INSET



TYPICAL SECTIONS



H 1:100
V 1:50

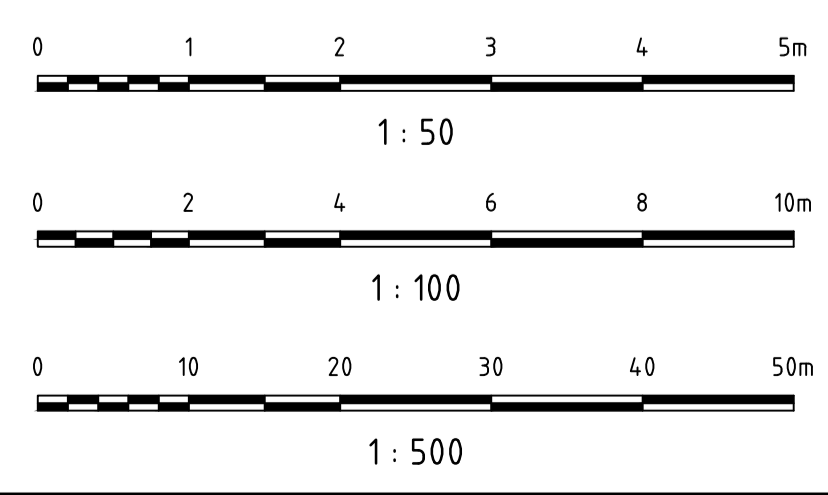
NOTE: HOUSE DRAINS AT 2m OFFSET TO SOUTH BOUNDARY UNLESS SHOWN OTHERWISE.

NOT FOR CONSTRUCTION



WARNING
 BEWARE OF UNDERGROUND SERVICES
 THE LOCATIONS OF UNDERGROUND SERVICES ARE APPROXIMATE ONLY AND THEIR EXACT POSITION SHOULD BE PROVEN ON SITE. NO GUARANTEE IS GIVEN THAT ALL EXISTING SERVICES ARE SHOWN.

Issue	Description	Date
P6	COUNCIL ISSUE	13.07.15
P5	COUNCIL ISSUE	24.06.15
P4	PRELIMINARY ISSUE	11.06.15
P3	PRELIMINARY ISSUE	29.05.15
P2	PRELIMINARY DESIGN ISSUE	17.04.15
P1	PRELIMINARY ISSUE	13.03.15



Status		PRELIMINARY NOT FOR CONSTRUCTION	
Scales	AS SHOWN	Current Issue Signatures	
Original Size	A1	Drawn	MJA
Height Datum	AHD	Designed	JT
Grid	MGA	Checked	Mw
Filename:		Approved	PP

Project: SHIRE OF MELTON
 BLOOMDALE ESTATE
 PARCEL B2
 STAGE 10
 Title: DETAIL PLAN

HYDER CONSULTING PTY LTD
 Level 16, 31 Queen Street
 Melbourne, Vic 3000
 Australia
 ACN 104 485 289
 Tel: +61 (0)3 8623 4000
 Fax: +61 (0)3 8623 4111
 www.hyderconsulting.com
 © Copyright reserved

Drawing No. C10200 - Project No. AA005214 - Issue P6